

Alumni Slimline Semi Automatic Door System



Product Features

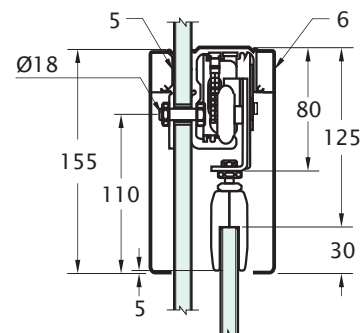
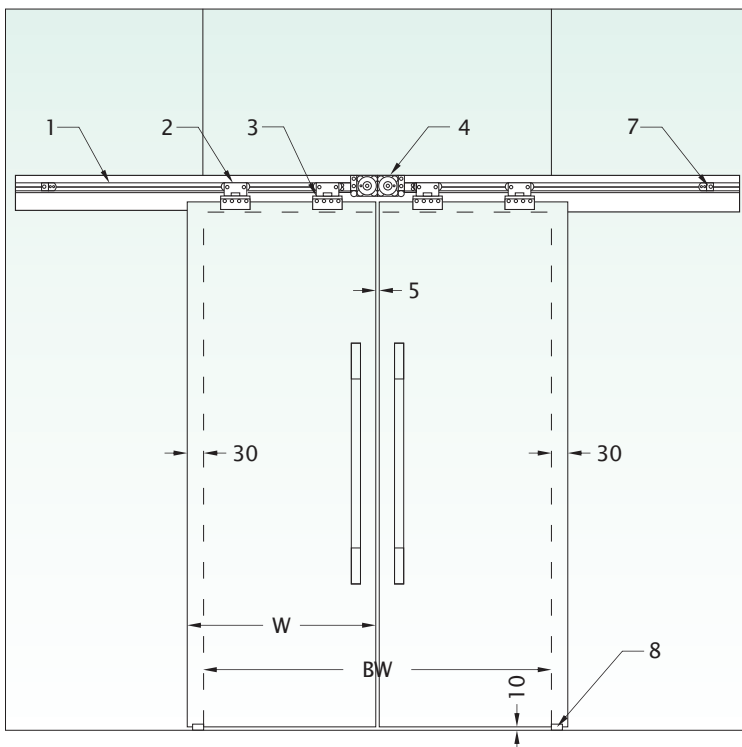
- Automatically closes sliding doors when opened.
- Silent and smooth operation with an adjustable closing speed.
- Suitable for frameless glass doors(10-12mm), or wooden doors.
- Suitable for hotels, offices and partitions.
- Hold open or automatic closing adjustment.
- Fully enclosed system with matching covers.
- Up to 120kg per leaf.
- Silver Grey powder coated finish.
- Other powder coated finishes available on request.

Length of guide rail	Sash width
3.0m	600-1500mm

Door type	Single door	Double door
Quantity	1 set	2 sets
Max. load capacity	120kg × 1	120kg × 2
Door width (W)	600-1500mm	750mm
Opening width (BW)	W-60mm	2W-55mm
Code	AL3	AL4

- For specific glass detail refer to our website or contact us directly.

Section Drawing-Glass Doors



Qty of fittings			
No.	Device name	Single door	Double door
1	Guide Rail	1 set	2 set
2	Hanger	2 set	4 set
3	Glass Clamp	2 set	4 set
4	Draw Box	1 set	2 set
5	Platen	1 set	2 set
6	Covers	2 set	4 set
7	Door Stop	1 set	2 set
8	Floor Guide	1 set	2 set