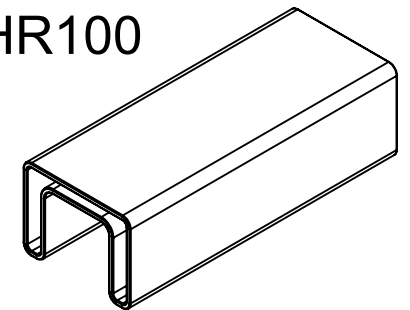


HR100



Option A: Stainless Steel grade 2205, $f_y = 450 \text{ MPa}$

Option B: Aluminium grade 6060-T6, $f_y = 150 \text{ MPa}$



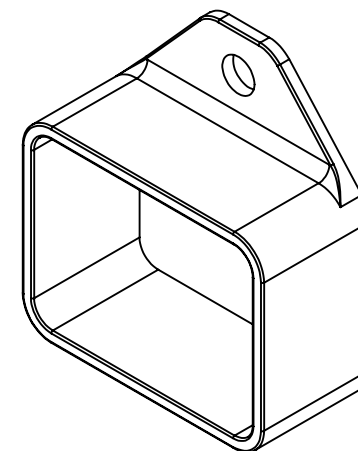
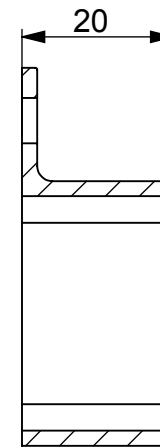
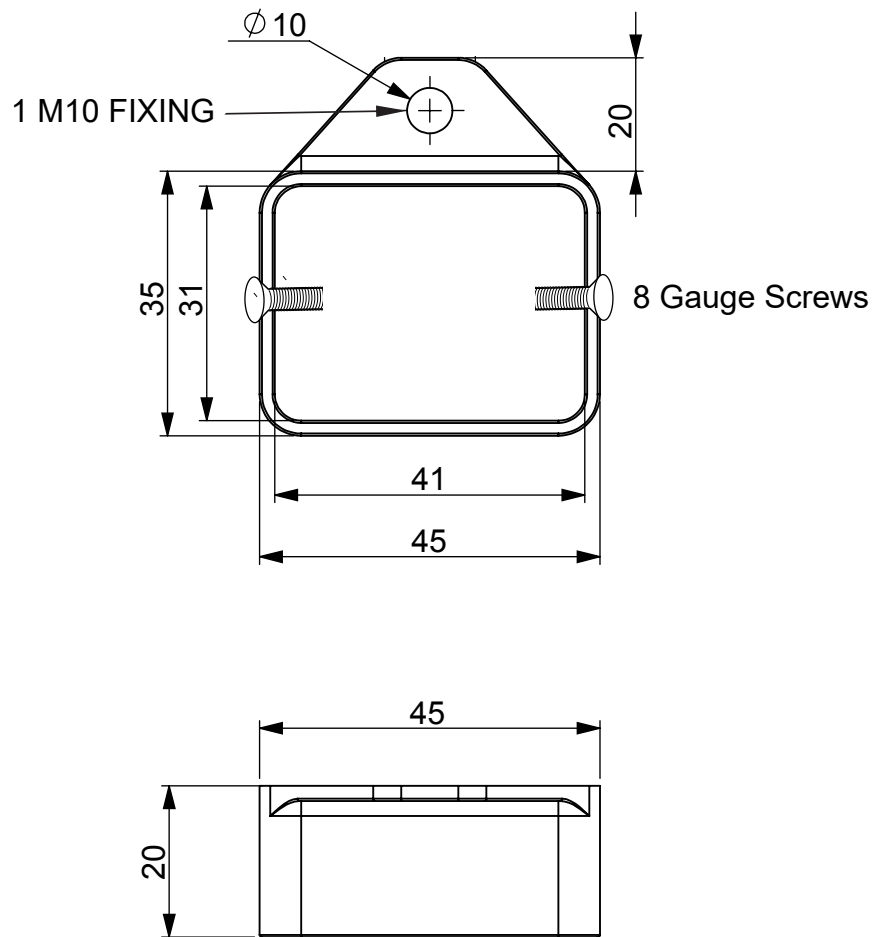
49 Woodside Ave, Northcote, Auckland 0627, New Zealand

www.VetroRaccordi.com

phone: 0064 9 419-0377

Drawn by				SCALE	1 : 1
Checked by				DATE	13/03/13
Auditing by					
Approved by					

CUBOID BOX
BALUSTRADE
HANDRAIL



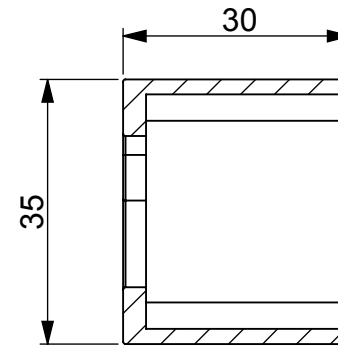
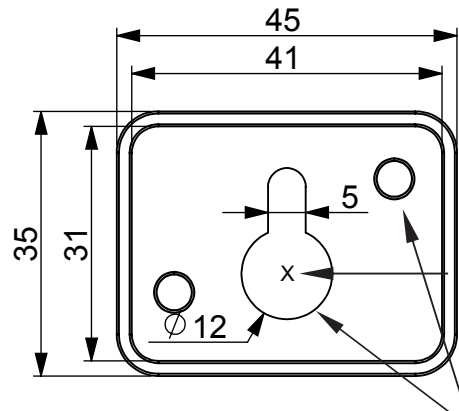
HR103



49 Woodside Ave, Northcote, Auckland 0627, New Zealand
 www.VetroRaccordi.com
 phone: 0064 9 419-0377

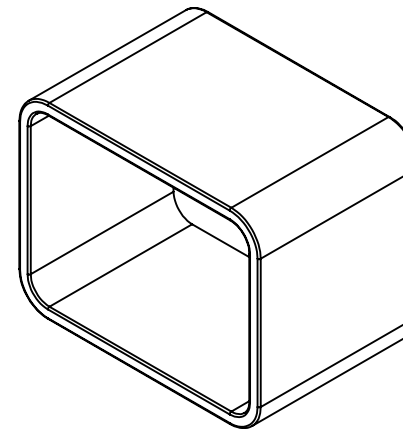
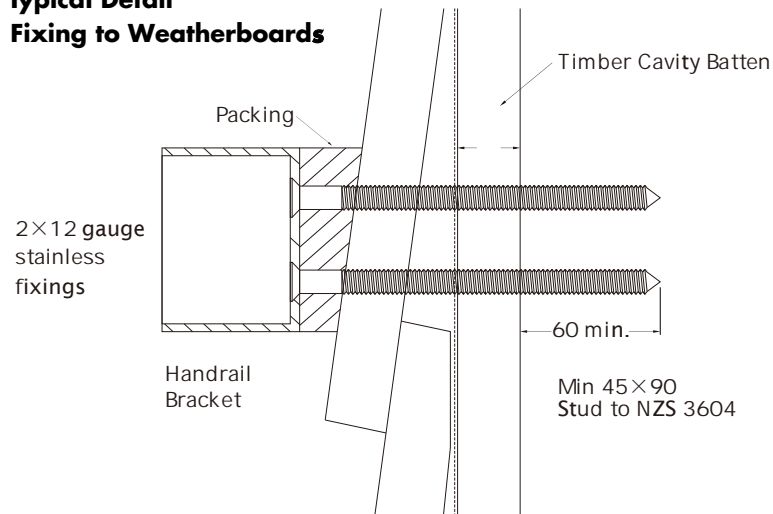
Drawn by				SCALE	1 : 1
Checked by				DATE	13/03/14
Auditing by				RE DATE	
Approved by					

CUBOID BOX
 BALUSTRADE
 HANDRAIL



1 M10 Fixing/OR
 2 x 14 Gauge Socket Screws
 Min 60mm penetration into solid timber

**Typical Detail
 Fixing to Weatherboards**



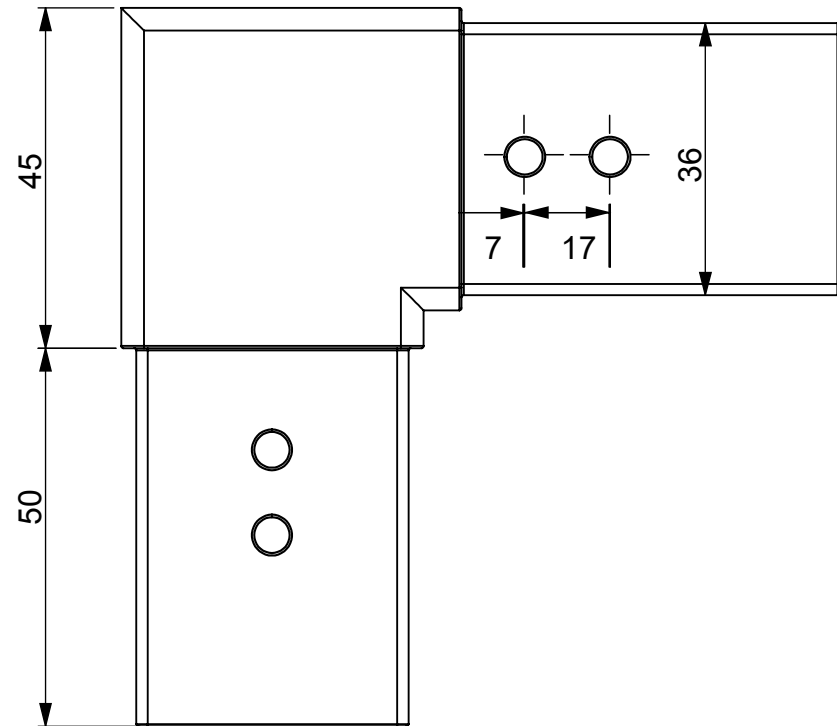
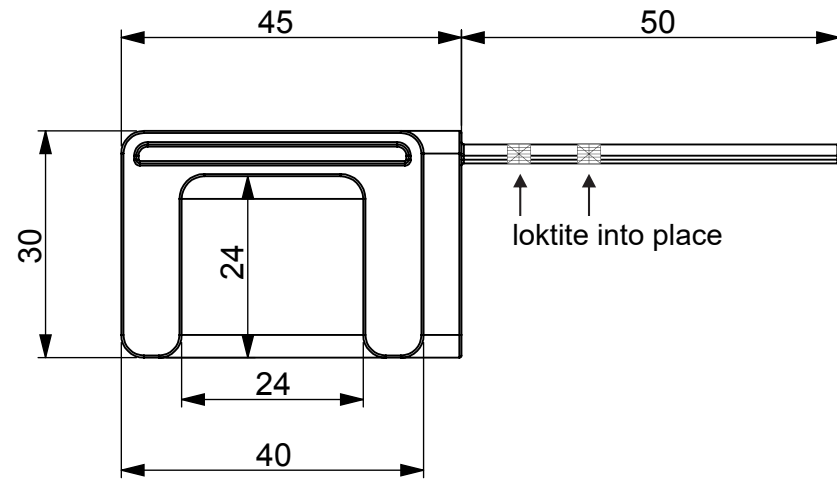
HR104



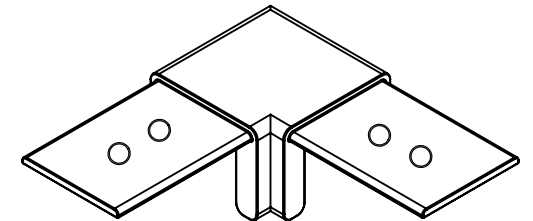
49 Woodside Ave, Northcote, Auckland 0627, New Zealand
 www.VetroRaccordi.com
 phone: 0064 9 419-0377

Drawn by				SCALE	1 : 1
Checked by				DATE	13/03/14
Auditing by				RE DATE	
Approved by					

**CUBOID BOX
 BALUSTRADE
 HANDRAIL**



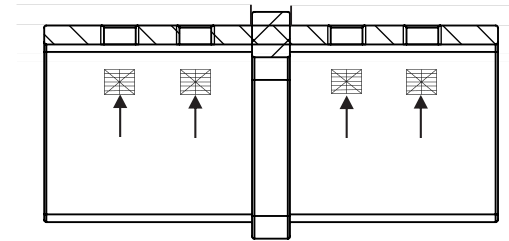
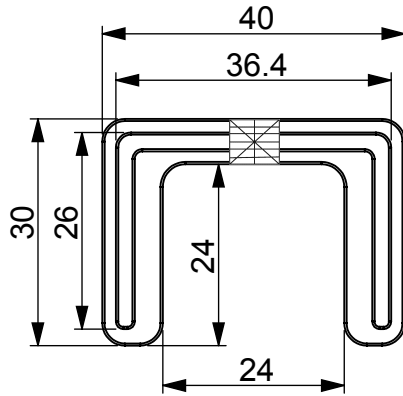
HR109



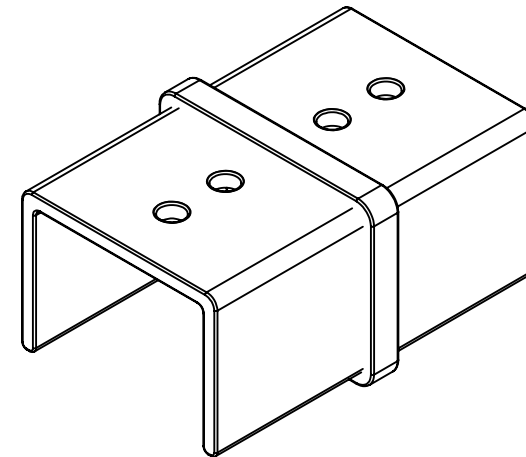
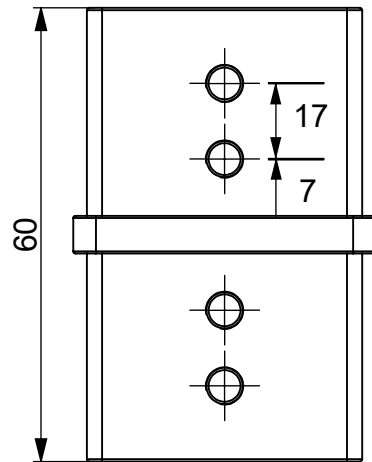
49 Woodside Ave, Northcote, Auckland 0627, New Zealand
 www.VetroRaccordi.com
 phone: 0064 9 419-0377

Drawn by				SCALE	1 : 1
Checked by				DATE	13/03/13
Auditing by				RE DATE	13/05/16
Approved by					

CUBOID BOX
 BALUSTRADE
 HANDRAIL



loktite grubscrews into place



HR102

Vetro Raccordi

49 Woodside Ave, Northcote, Auckland 0627, New Zealand

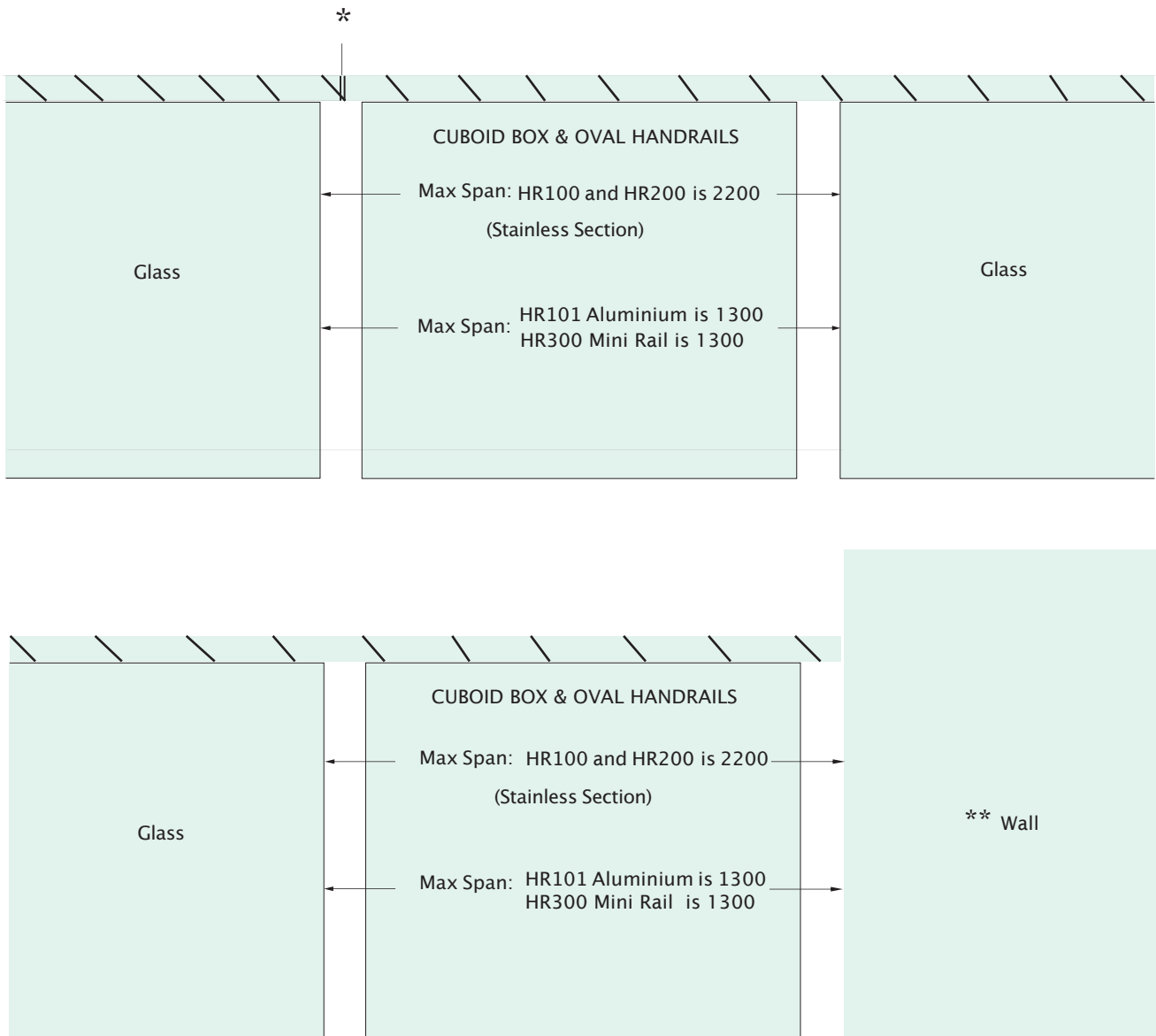
www.VetroRaccordi.com

Phone: 0064 9 419-0377

Drawn by				SCALE	1 : 1
Checked by				DATE	13/03/13
Auditing by				RE DATE	
Approved by					

CUBOID BOX
BALUSTRADE
HANDRAIL

Handrails: Maximum Spans



Note: * Any join on a length of handrail must be on the join of a glass panel.

** The handrail must be attached to the wall / structural member.

Mini Capping Rail does not meet NZ Building Code regulations as a handrail for stairs.

Load at Top of Balustrade 0.75kn/m

Balustrade height 1100mm

Option A: Cuboid Box Handrail, 40 x 30 Stainless Steel Grade 2205, $f_y = 450$ MPa

Option B: Cuboid Box Handrail, 40 x 30 Aluminium Grade 6060-T6, $f_y = 150$ MPa

Option C: Oval Handrail, 60 x 30 Stainless Steel Grade 2205, $f_y = 450$ MPa

Option D: Mini Capping Rail, 25 x 21 Stainless Steel Grade 2205, $f_y = 450$ MPa