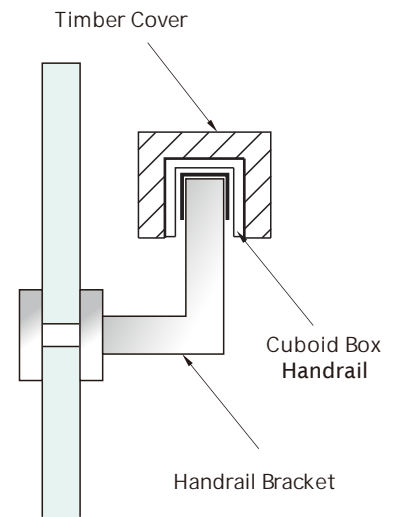
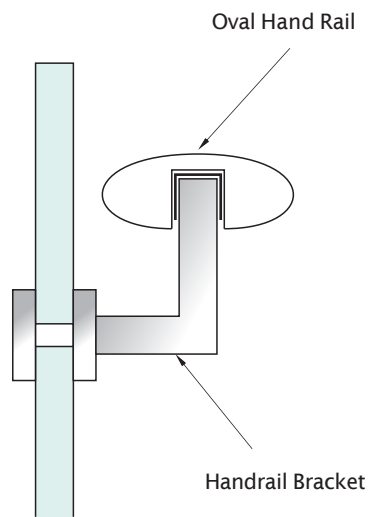
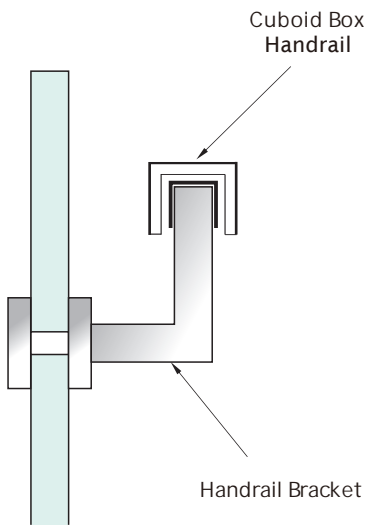
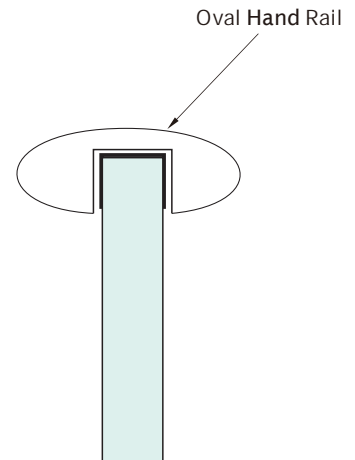
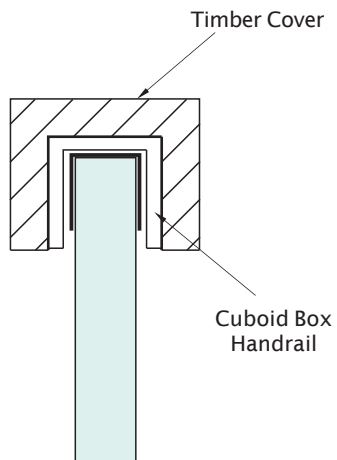
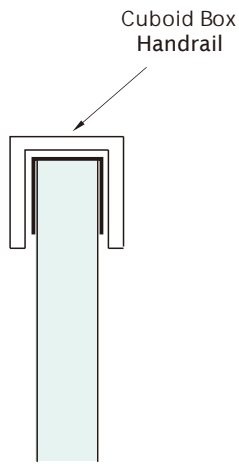
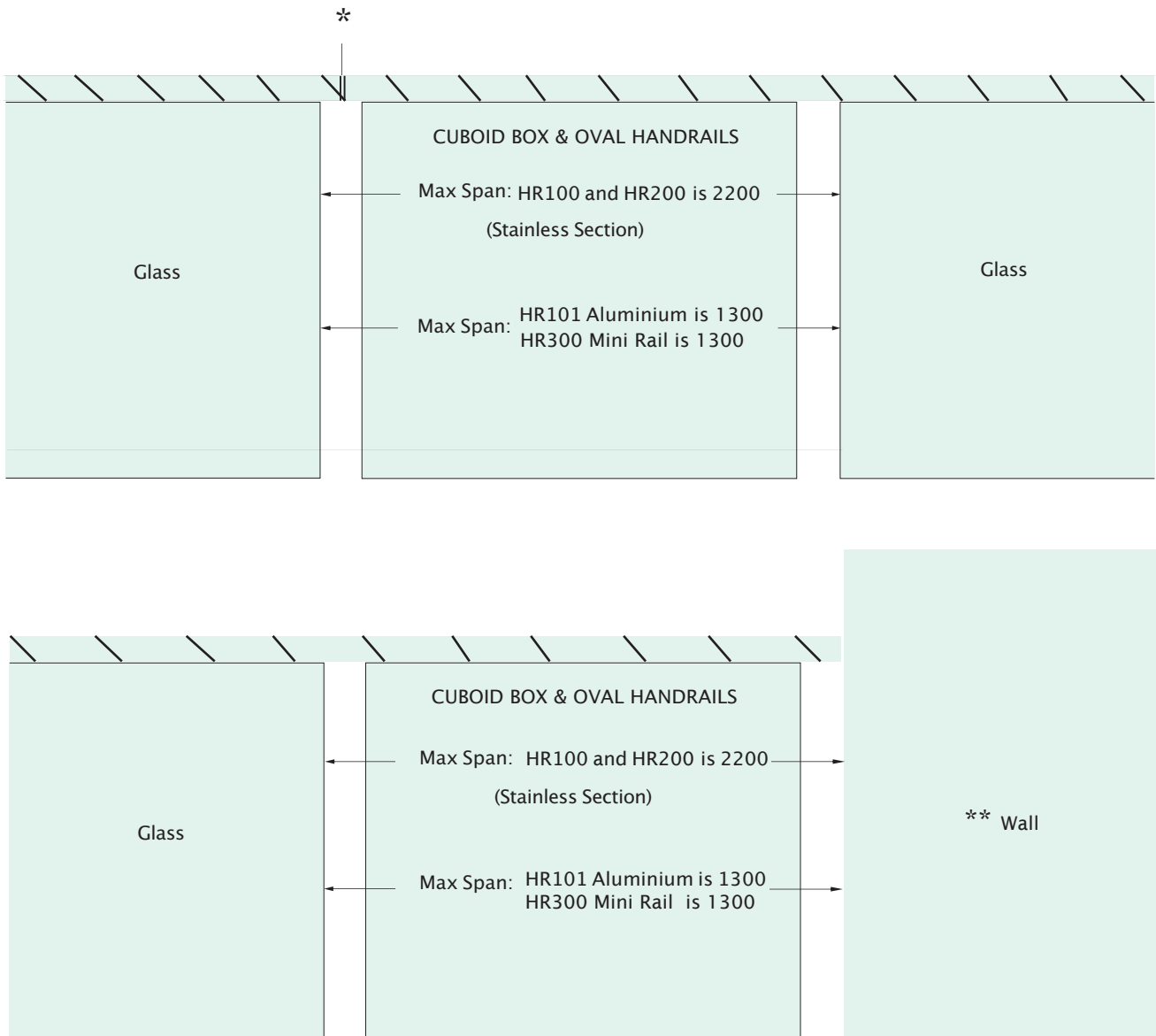


# Oval/Cubix Box Handrail : Fixing Options



# Handrails: Maximum Spans



Note: \* Any join on a length of handrail must be on the join of a glass panel.

\*\* The handrail must be attached to the wall / structural member.

Mini Capping Rail does not meet NZ Building Code regulations as a handrail for stairs.

Load at Top of Balustrade 0.75kn/m

Balustrade height 1100mm

Option A: Cuboid Box Handrail, 40 x 30 Stainless Steel Grade 2205,  $f_y = 450$  MPa

Option B: Cuboid Box Handrail, 40 x 30 Aluminium Grade 6060-T6,  $f_y = 150$  MPa

Option C: Oval Handrail, 60 x 30 Stainless Steel Grade 2205,  $f_y = 450$  MPa

Option D: Mini Capping Rail, 25 x 21 Stainless Steel Grade 2205,  $f_y = 450$  MPa