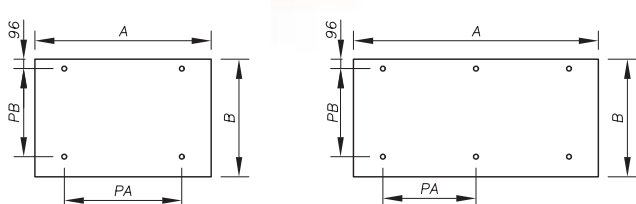


Enquiry for quotation

Order form



Fixing	A mm	B mm	Standard thickness mm	model Arcade		model Corole	
				Quantity Pitch -5 °	Quantity Pitch +5 °	Quantity Pitch -5 °	Quantity Pitch +5 °
4 fixing points	1200	800	6.6.4				
	1500	1050	8.8.4				
	1800	1200	10.10.4				
6 fixing points	2000	1200	6.6.4			X	
	2500	1200	8.8.4				
	3200	1200	10.10.4				
	3200	1500	10.10.4				
	3200	1700	10.10.4				

- with glazing 1003
 without glazing 1001

Remarks:

.....

.....

.....

.....

.....

.....

.....

contacts :

Emmanuel MOOS : CEO

Georges BERTHOD : technical and R&D manager

Frédéric FIEVET : product manager

Nelly ROULIER : export assistant

Stéphanie GEORGES : export assistant

®SADEV

2, allée des Faisans - Z.I. de Vovray - BP 78 - 74603 Seynod Cedex (Annecy) - **France**

Phone : +33 (0)4 50 33 70 43 **Fax :** +33 (0)4 50 33 70 01 **E-mail :** info@sadev.com

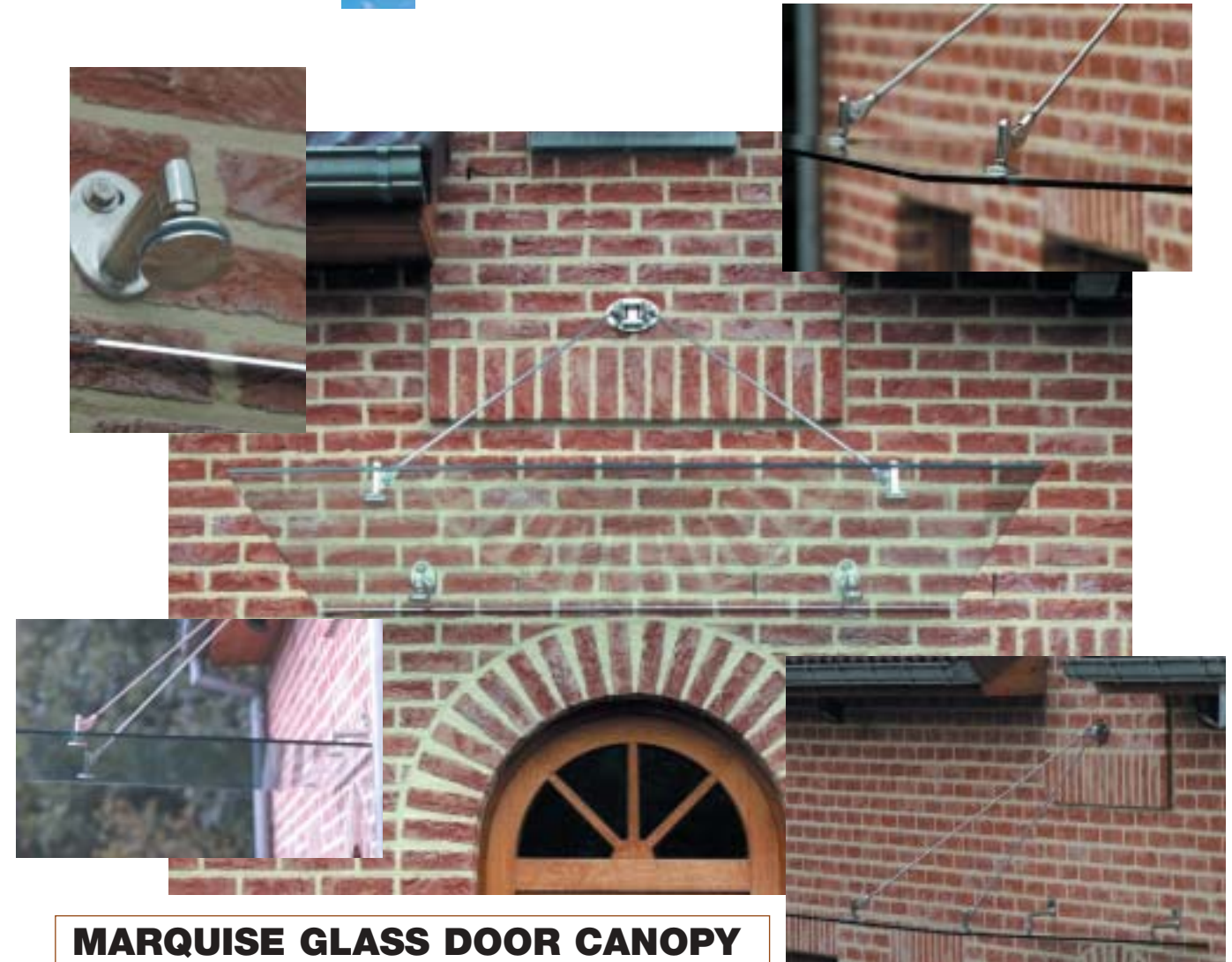
Internet : www.sadev.com



®SADEV

ARCHITECTURAL GLASS SYSTEMS

MARQUISE



MARQUISE GLASS DOOR CANOPY

Glass door canopies give to the façade a key distinction. It is rain and dirt dodger, so you show your guests how you are taking care of them.

The new concept of glass canopies is the alliance between of "merry old time" comfort and, state-of-the-art building techniques.

Tey suit any type of building : houses, entrances, shops and store.

Whatever the weather is, the customers can quietly look at shop's displays or at restaurant's menu.

The canopy is made up of standard stainless steel elements available from stock. ®SADEV delivers complete sets. On request the glass can be supplied too.

®SADEV may design special models according to your requirements.

DOCUMENTATION NON CONTRACTUELLE - CREDIT PHOTO SADEV - REALISATION PHOTOCOOP/ANNECY

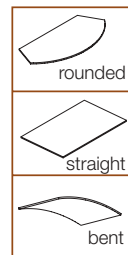
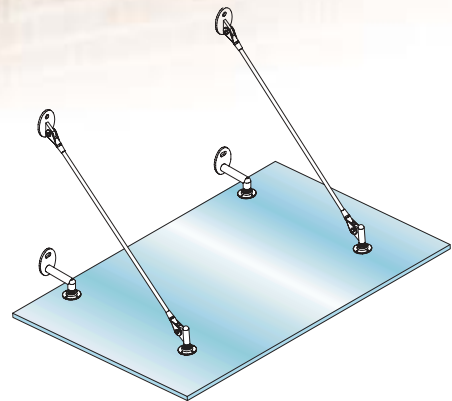
www.sadev.com

Possible implementations

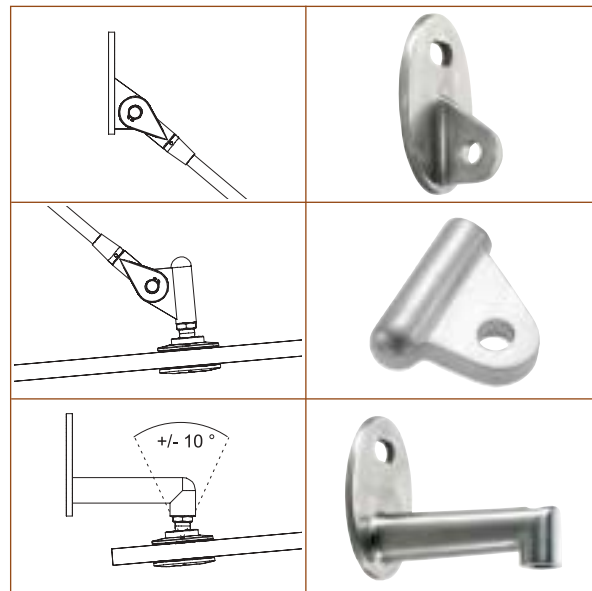
The ®SADEV Marquise System (SMS) is available in different versions, depending on the number of glazings, the number of fixing points per glazing and following the pitch and a possible water evacuation.

Arcade

1 flat or bent glazing
4 or 6 fixing points and parallel tension rods

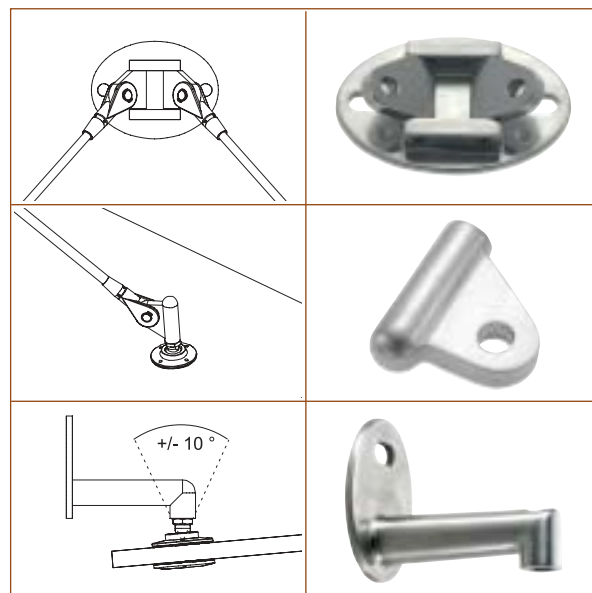
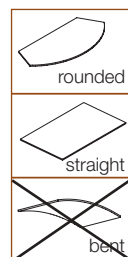
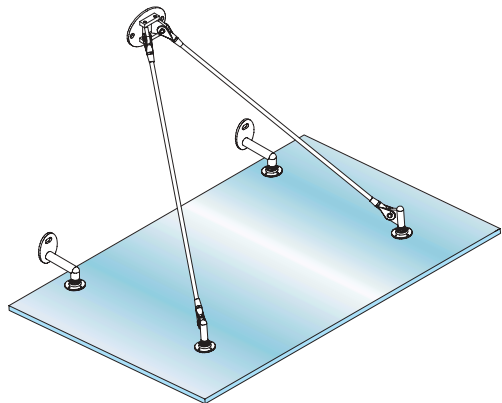


Stainless steel casting AISI 316



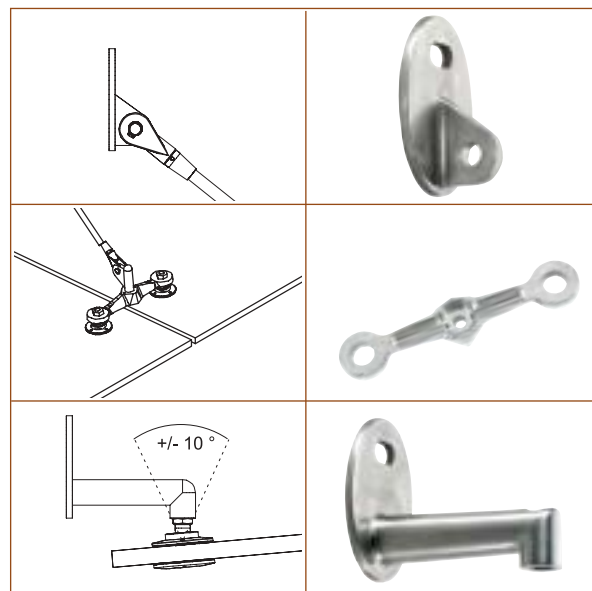
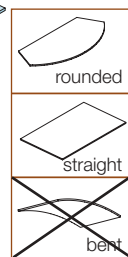
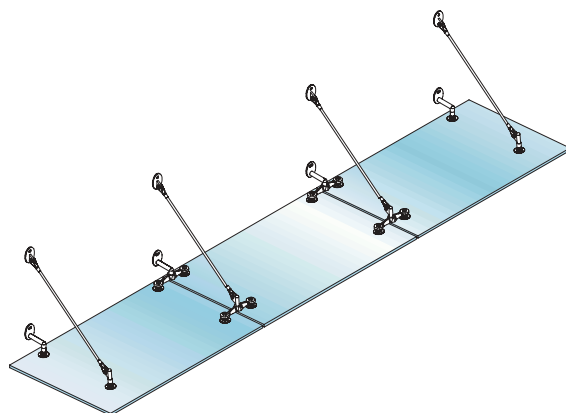
Corole

1 flat glazing
4 fixing points and oblique tension rods



Plazza

Several flat glazings parallel tension rods and connections between the glazings



Technical description

The ®SADEV Marquise System allows a point suspended glass canopy with a tension rod system.

In each case glass is made of 2 toughened or heat strengthened sheets, each heat-soak tested and assembled with at least 4 PVB interlayers to a laminated safety glass (see table below). The glass can be clear, tinted, light absorbent or reflecting, sandblasted or screen-printed. The glass thickness depends on the sizes and the solicitations they have to support under respect of the local applied standards and their additional treatments.

The drilling details for the fixing points are cylindrical or chamfered, depending on the type of swivel.

The inclination of the canopy has to be at least 3% in order to avoid that by the net weight and snow a hollow occurs in which the dirtiness collects, and at most 10%, angle regulation limit of the swivel.

Technical data to the calculation of the glass-thickness:

- valid calculation for laminated glazings made of 2 toughened sheets without surface treatment like sandblasting or screen-printing, etc
- for cumulated charges (net weight, wind, snow,...) of at most 1500 Pa/m²

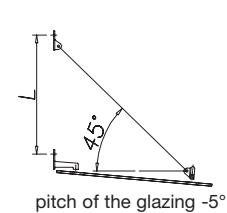
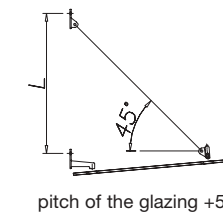
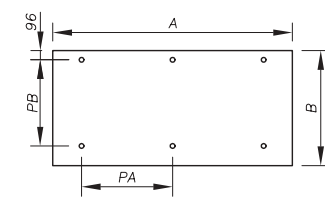
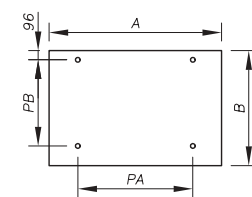
Boring size: see plan following swivel model

Verify if your canopy is corresponding to these parameters

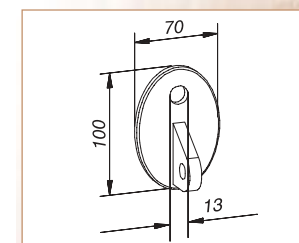
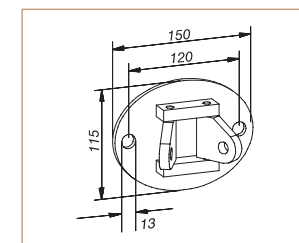
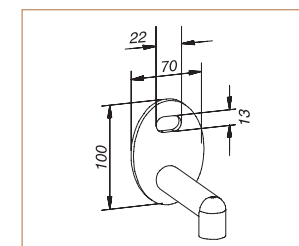
		model Arcade		model Corole	
		pitch = -5°	pitch = +5°	pitch = -5°	pitch = +5°
Fixing	Standard thickness mm	L	L	L	L
4 fixing points	1200	610	720	560	670
	1500	792	936	742	886
	1800	827	1045	777	995
6 fixing points	2000	827	1045	X	
	2500	827	1045		
	3200	827	1045		
	3200	1065	1260		
	3200	1247	1478		

Glazing sizes

Fixing	A mm	B mm	PA mm	PB mm	Standard thickness mm
4 fixing points	1200	800	900	600	6.6.4
	1500	1050	1100	800	8.8.4
	1800	1200	1100	900	10.10.4
6 fixing points	2000	1200	900	900	6.6.4
	2500	1200	1050	900	8.8.4
	3200	1200	1300	900	10.10.4
	3200	1500	1300	1100	10.10.4
	3200	1700	1300	1300	10.10.4



Wall connections



Transversal connections



alternative



boring plan

