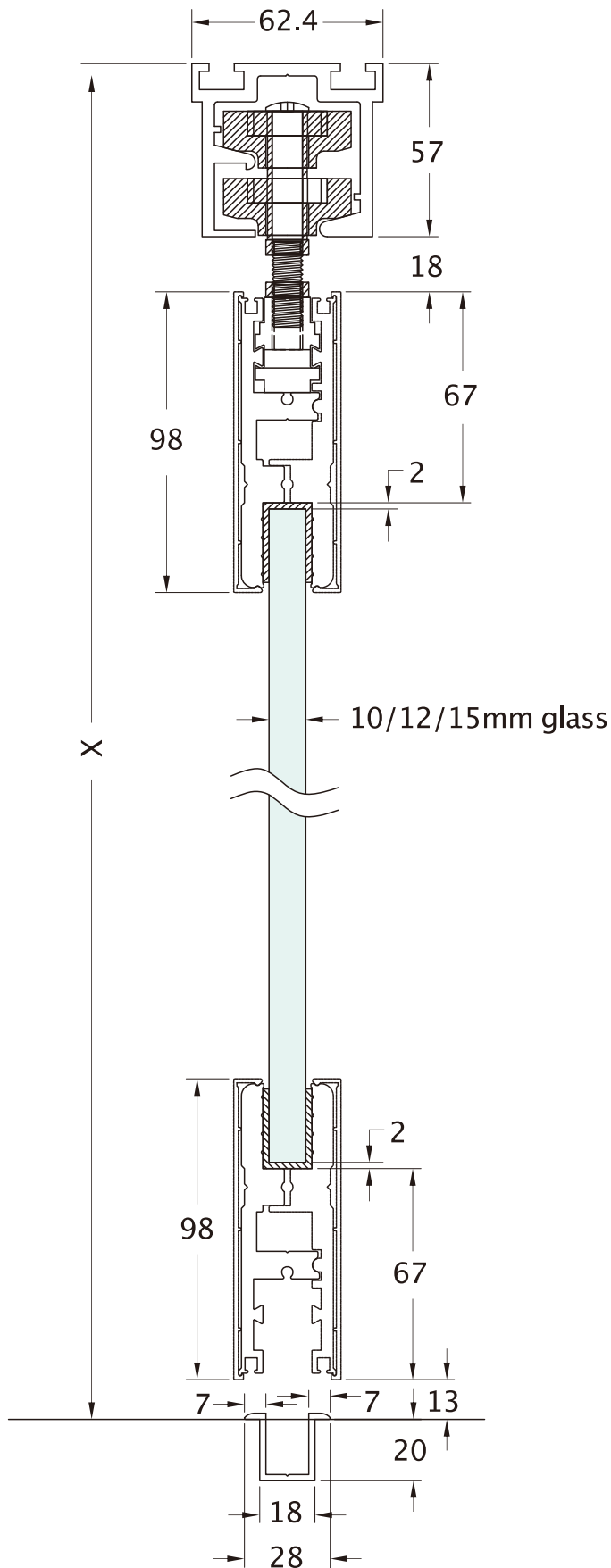


Vetro Slide Fold Stack: Glass Detail



Glass Sizes = X - 226

Vetro Slide Fold Stack: Measuring Detail

Measuring Instructions for the opening

Stacking or Folding Doors need to be square and plumb to operate properly. Floors and walls are often out. So check the opening for plumb and determine the maximum square opening (X). Each door panel must be square and parallel.

