

Modena Glass Canopy



Product Features

- Can be used as a single canopy or a row of canopies to suit particular installations.
- 316 Stainless Steel for long life and increased strength.
- Fixing positions can be changed to have the glass sloping backwards or forwards.
- Maximum width of canopy is 1100mm and length can be as required.
- Utilises 12mm toughened safety glass or 12mm toughened laminate glass.

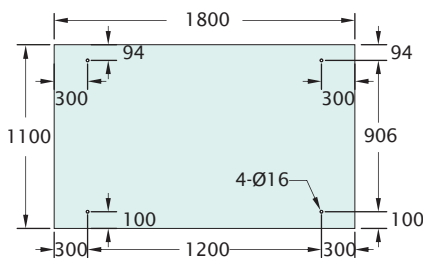
For specific glass and layout detail please refer to Technical section of our website.



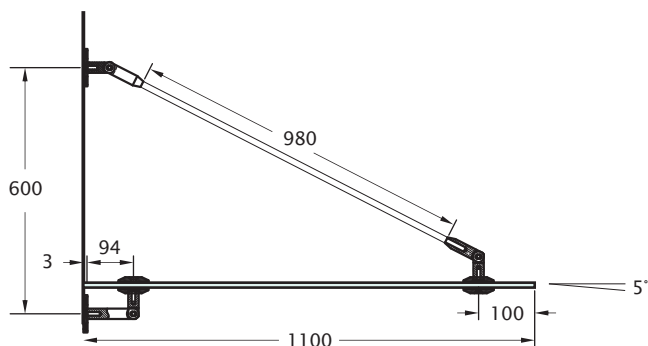
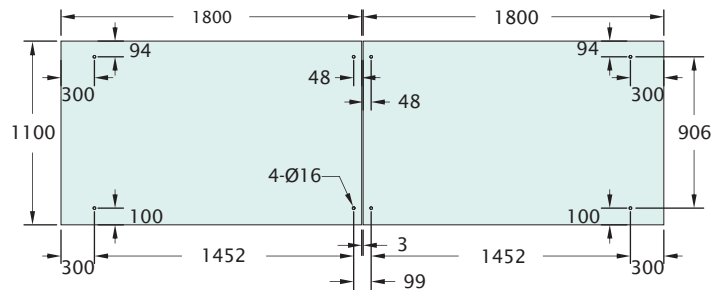
Modena Glass Canopy

Product Code	Description	Finish	
C1PS C1SS	Canopy Wall to Glass Fitting Canopy Wall to Glass Fitting	PS SS	
C2PS C2SS	Canopy Wall to Strut Fitting Canopy Wall to Strut Fitting	PS SS	
C3PS C3SS	Canopy Glass to Strut Fitting Canopy Glass to Strut Fitting	PS SS	
C4PS C4SS	Canopy Strut 14mm×980mm Canopy Strut 14mm×980mm	PS SS	
C5PS C5SS	Canopy Glass to Glass Double Connector Canopy Glass to Glass Double Connector	PS SS	
C6PS C6SS	Canopy Wall to Glass Double Connector Canopy Wall to Glass Double Connector	PS SS	

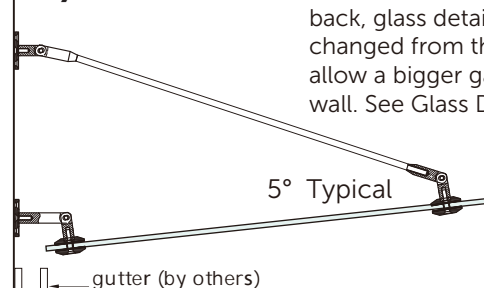
Single Kit



Double Kit



Layout with Gutter



Note: To achieve a gutter at the back, glass detail needs to be changed from the standard detail to allow a bigger gap from the wall. See Glass Detail on website.

