

Capri Hydraulic Hinge Glass Door Closer



Product Features

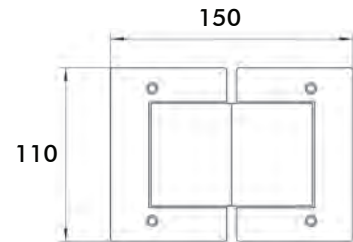
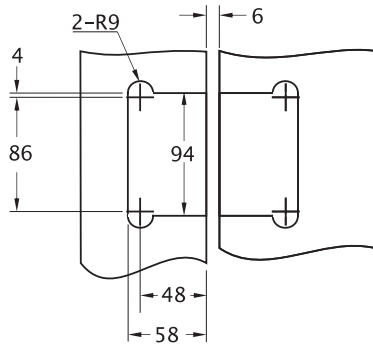
- Glass doors create open interiors through their light transmission and allow visibility of approaching people. Capri Hydraulic Hinges offer a safe option with self-closing of the door by an adjustable closing speed, and/or holding the door open as required.
 - Eliminates any risk of walking into the unseen edge of a partially open door.
 - Designed for double action, hydraulic self-closing of internal glass doors with soft closure from any angle.
 - Adjustment feature for the closing speed from 0-90 degrees.
 - Being wall or glass mounted means floor mounted closing devices are not needed.
 - Suits 8, 10 and 12mm toughened safety glass and door weights to 60kg.
 - Both 90degree Hold Open and Non-Hold Open options available in polished or satin stainless finish.
- For specific glass and layout detail please refer to Technical section of our website.



Capri Hydraulic Hinge Glass Door Closer

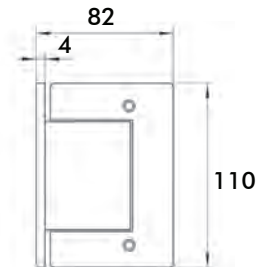
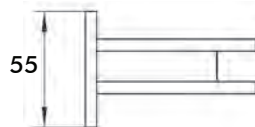
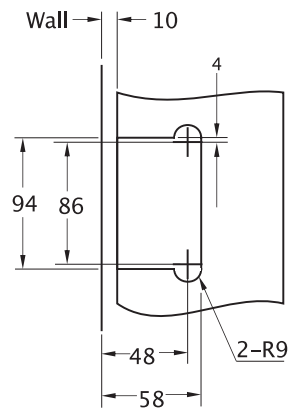
Capri Hydraulic Hinge, Glass to Glass

Product Code	Description	Finish
NV501PS	Capri Hinge, Glass to Glass HO	PS
NV501SS	Capri Hinge, Glass to Glass HO	SS
NV502PS	Capri Hinge, Glass to Glass NHO	PS
NV502SS	Capri Hinge, Glass to Glass NHO	SS

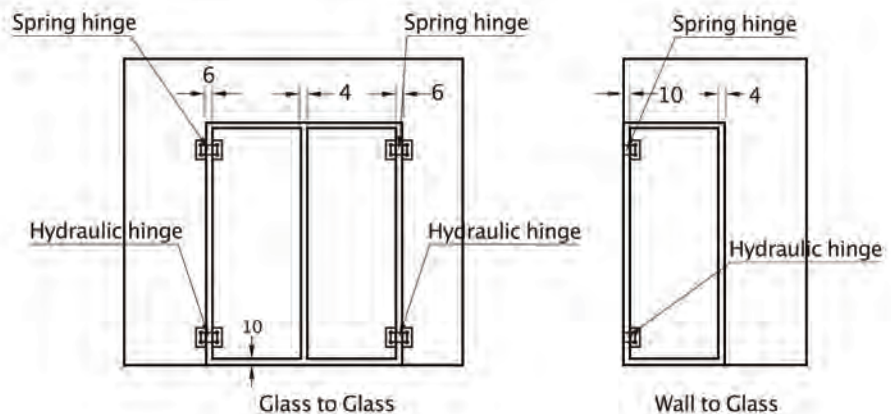


Capri Hydraulic Hinge, Wall to Glass

Product Code	Description	Finish
NV503PS	Capri Hinge, Wall to Glass HO	PS
NV503SS	Capri Hinge, Wall to Glass HO	SS
NV504PS	Capri Hinge, Wall to Glass NHO	PS
NV504SS	Capri Hinge, Wall to Glass NHO	SS



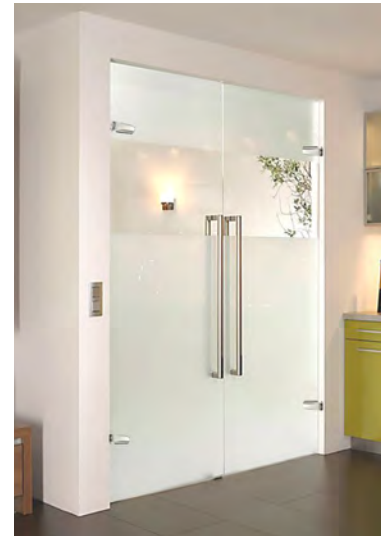
Typical Layout



Linea Hinge for rebated Glass Doors

Product Features

- A slim profile, rebated hinge for side hung single or double glass doors.
- Suits 10mm-15mm glass thicknesses.
- Recommended loading is max 80kg.
- Fixing to either timber or metal frame.
- Using 2 hinges the max door width is 800mm and max height 2000mm.
Use 3 hinges for larger door sizes.
- 304 stainless steel in polished or satin finish.
- Opening angle from 0° to 120°.



Product Code

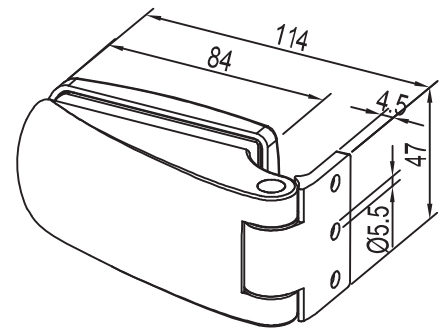
GH1PS
GH1SS

Description

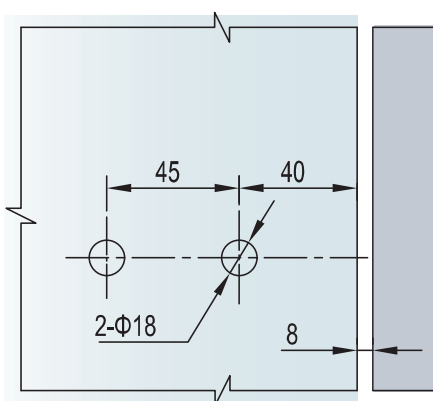
Rebated Glass Door Hinge
Rebated Glass Door Hinge

Finish

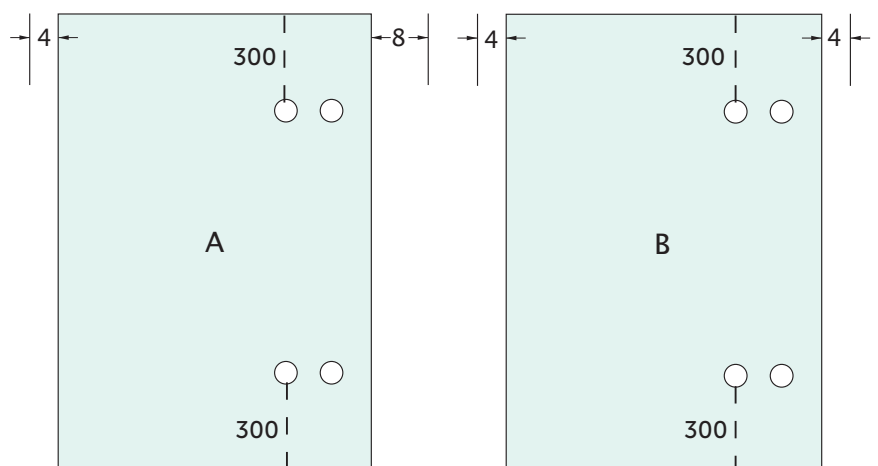
PS
SS



Door Opening angle from 0° to 120°



Glass cut-out detail



A = Hinge not rebated into timber

B = Hinge rebated into timber