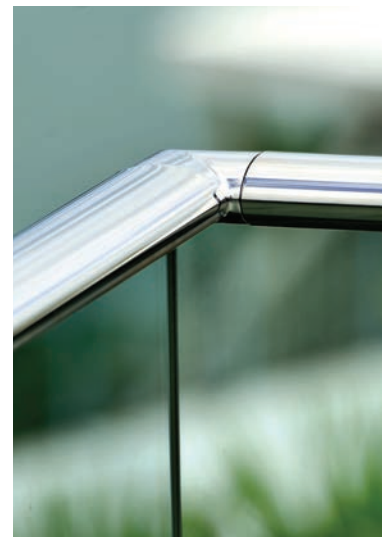
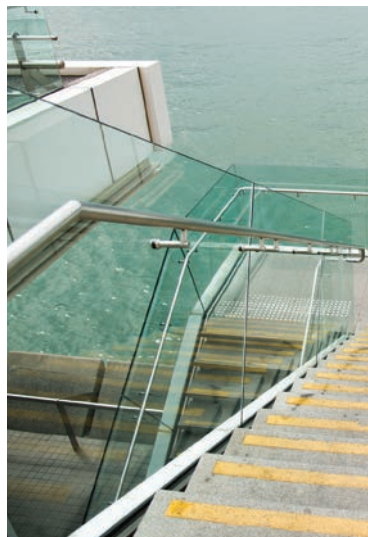


Rialto Oval Handrail



Product Features

- A comfortable grasp and slim 30mm profile for less visual intrusion.
- Continuous sections and a range of accessories means angles and height changes can be done on site, with easy installation and no welding necessary.
- Meets the Building Code as a structural balustrade handrail and a stair handrail.
- In addition to being a top rail, it can be side-mounted to glass or walls using our stainless steel handrail brackets.
- Suits 12mm and up to 17.52mm toughened or laminated glass.
- No holes in the glass required, unless handrail brackets are used.
- Wall Brackets and End Caps available for finishing detail.
- Manufactured from 2205 Stainless Steel for long life, strength and serviceability and available in Polished Stainless or Satin Stainless finishes.



Rialto Oval Handrail

Rail

Product Code

HR200PS

HR200SS

Description

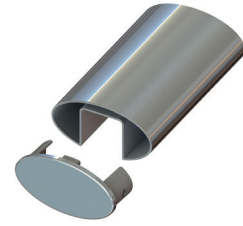
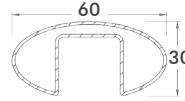
Oval Tube, 5800mm length

Oval Tube, 5800mm length

Finish

PS

SS



Note: Available Cut-to-Size

Joiners

Product Code

HR202PS

HR202SS

HR209PS

HR209SS

HR206PS

HR206SS

HR210PS

HR210SS

Description

180° Inline Joiner

180° Inline Joiner

90° Corner Joiner

90° Corner Joiner

Adjustable Vertical Joiner

Adjustable Vertical Joiner

Adjustable Horizontal Joiner

Adjustable Horizontal Joiner

Finish

PS

SS

PS

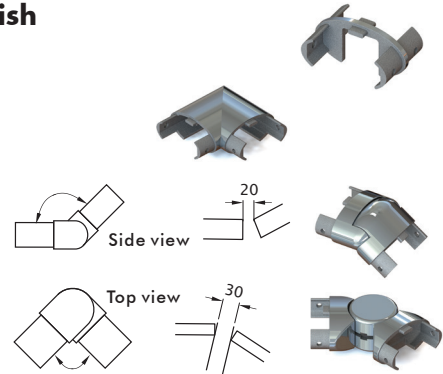
SS

PS

SS

PS

SS



Wall Brackets/End Caps

Product Code

HR205PS

HR205SS

HR208PS

HR208SS

HR211PS

HR211SS

Description

End Cap

End Cap

Wall Bracket - concealed fix

Wall Bracket - concealed fix

Wall Bracket - face fixed

Wall Bracket - face fixed

Finish

PS

SS

PS

SS

PS

SS



Glazing Rubber

Product Code

HR107-12

HR107-15

HR107-17

Description

Glazing Rubber for 12mm glass

Glazing Rubber for 15mm glass

Glazing Rubber for 17.52mm glass



Accessories

Product Code

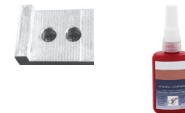
HRT

HR108

Description

Steel template used for hole fixing

Glazing Adhesive



Fixing Options

