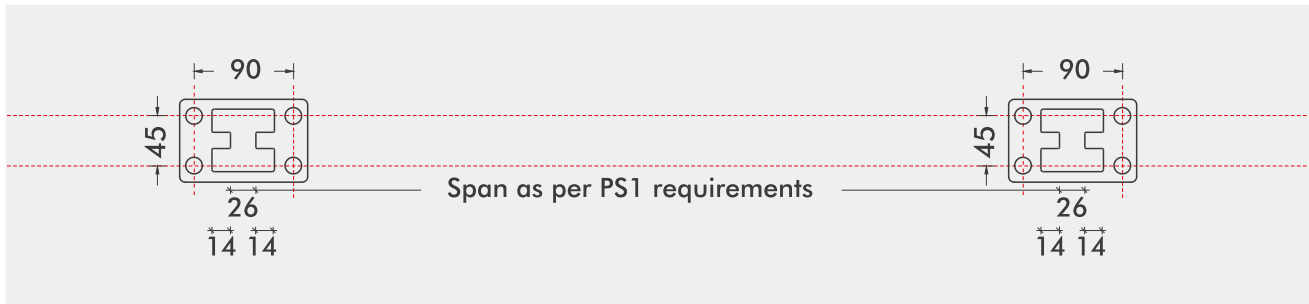
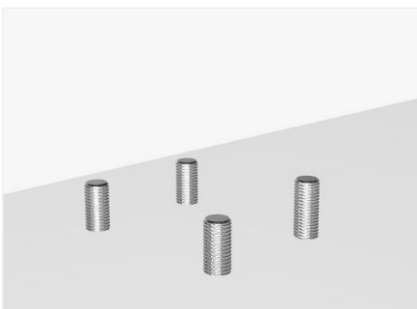


ClearVista Aluminium Posts Top Fixed With Handrail, Gap at the Top & Bottom of Posts

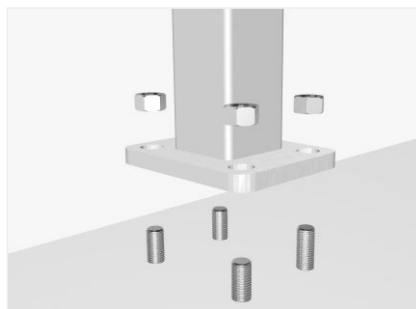
INSTALL POSTS



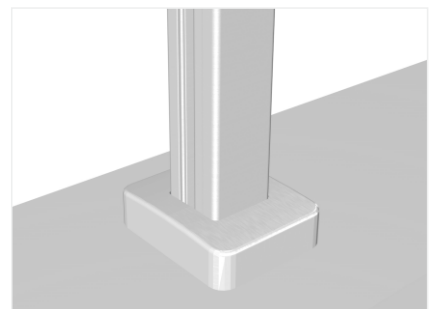
1. Mark the distance between each post allowing for stock panels to suit or evenly spaced for custom glass



2. Concrete: Drill holes & fit the rods
Timber: Fix the posts in place with
coach bolts

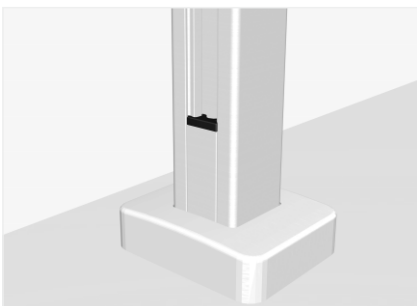


3. Tighten nuts to fit the posts

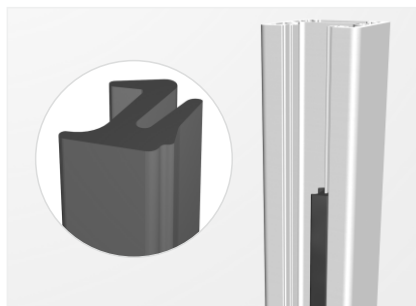


4. Fit the covers

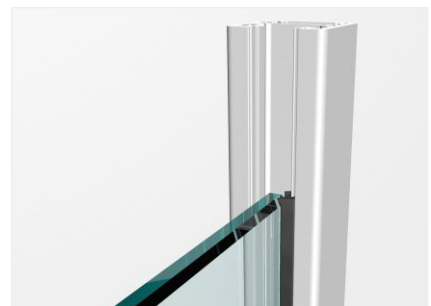
FITTING GLASS



1. Fit the bottom aluminium infill
and plastic packing block

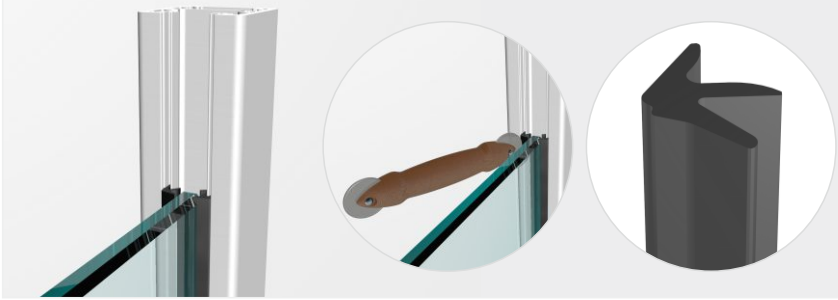


2. Fit rubber A on the outside

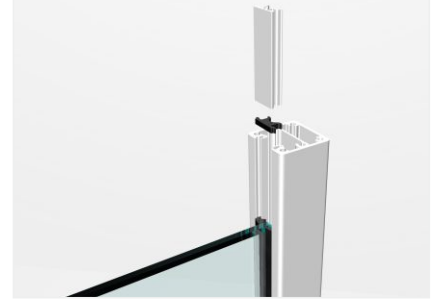


3. Slide glass in from the top
between posts

Installation Instructions

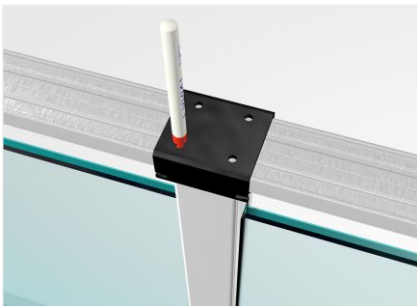


4. Fit the wedge rubber on the inside. (Roller assisted, spray soapy water as lubricant)

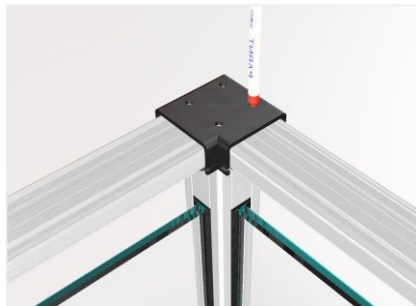


5. Fit the plastic packing block & infill on the top of glass

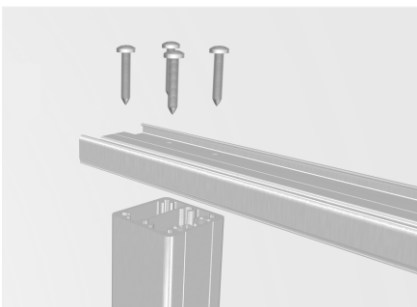
FITTING HANDRAIL



1. Place bottom section of handrail in position and use jig to mark hole position.



2. Drill holes.



3. Tighten the screws to fit under cap to posts and end caps if required.



4. Slide handrail on starting at one end and push down to clip into place.

